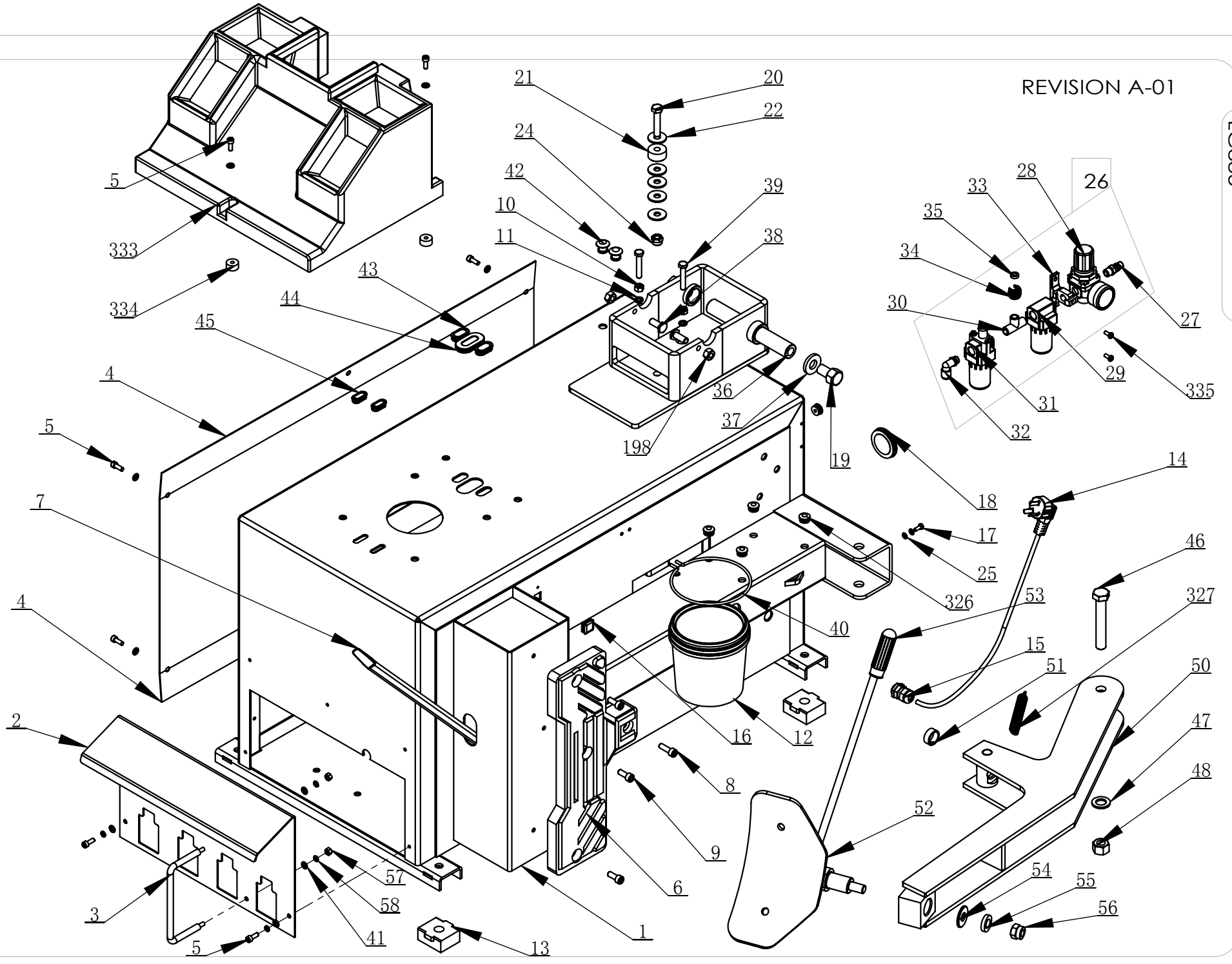


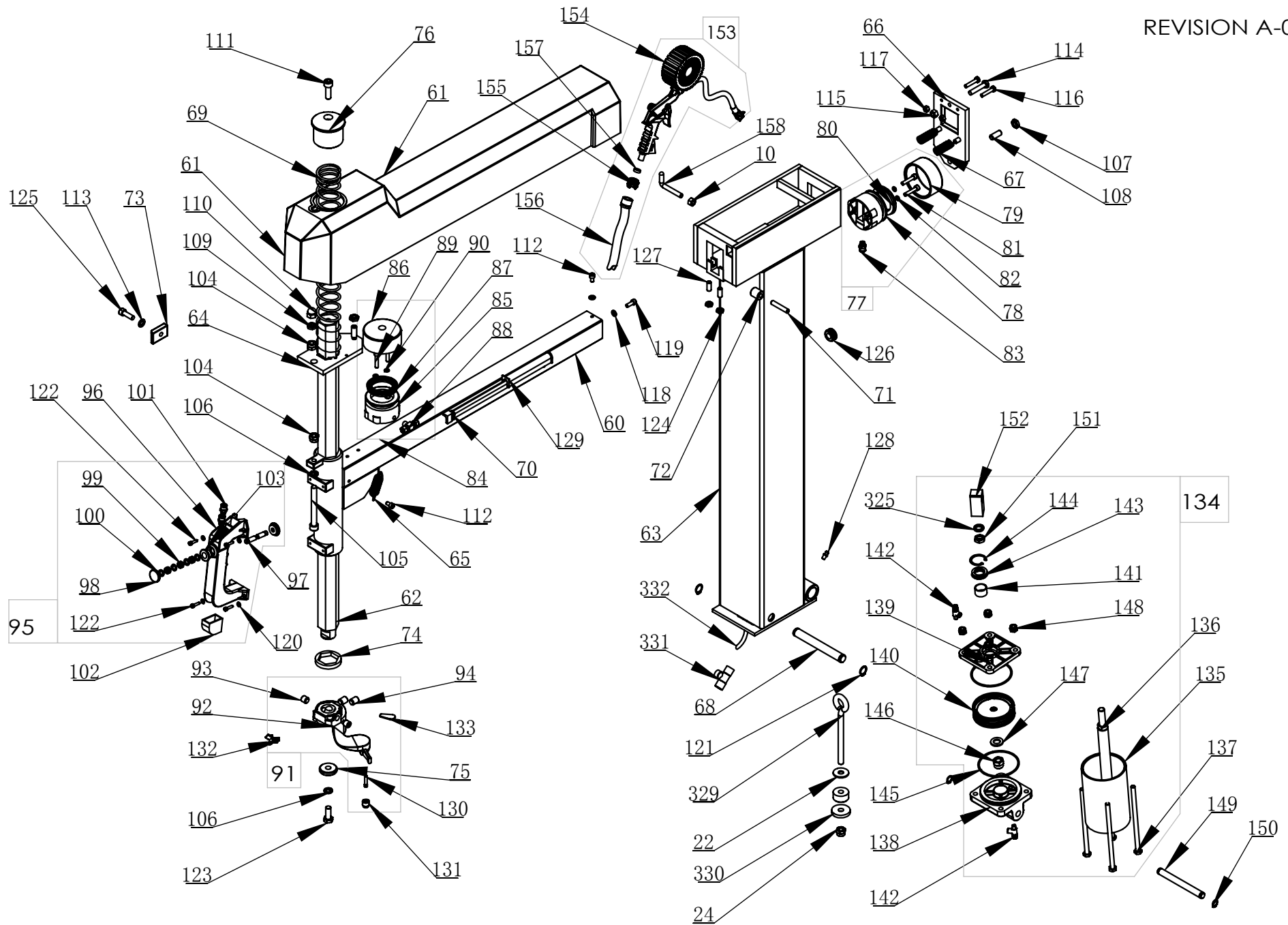
# Exploded Drawing

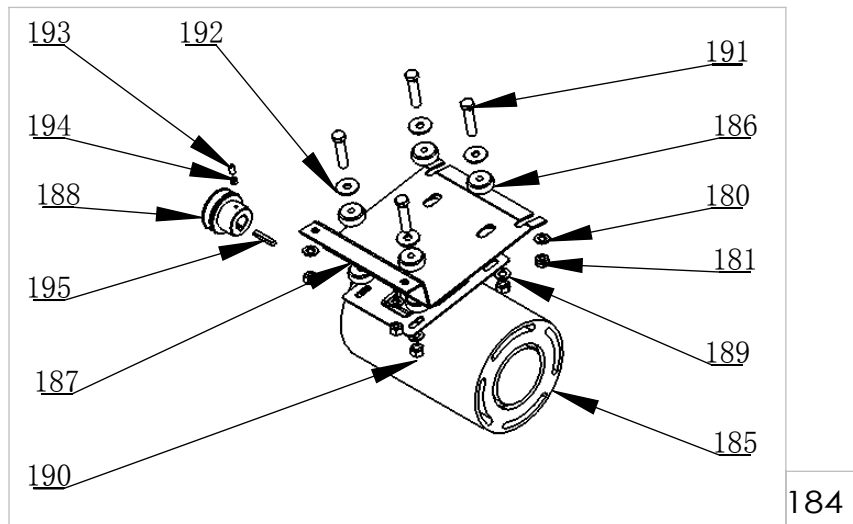
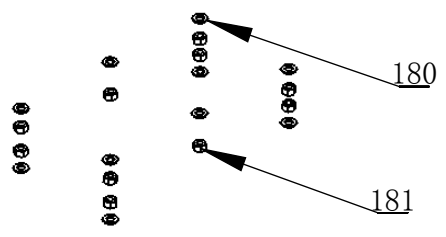
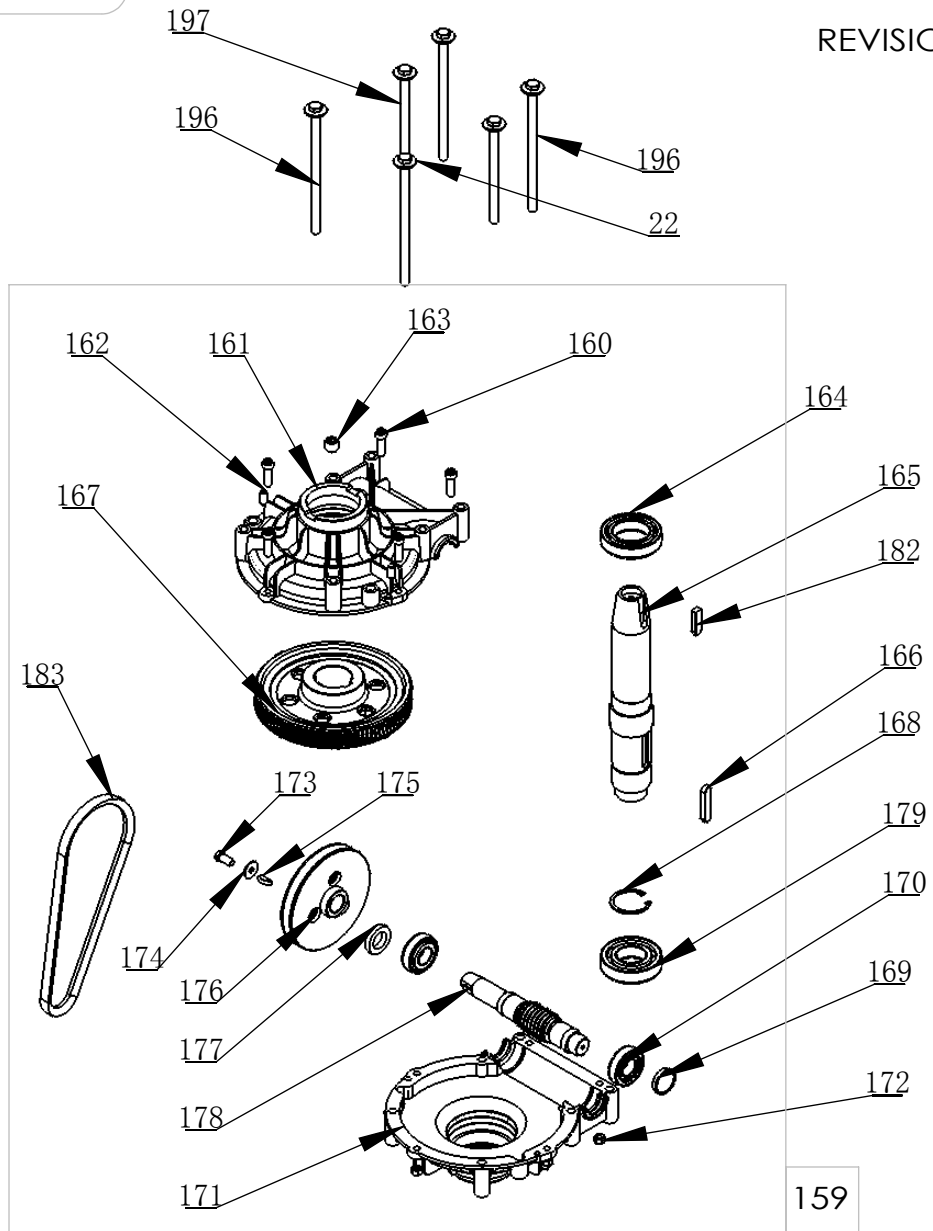
LC885

REVISION A-01

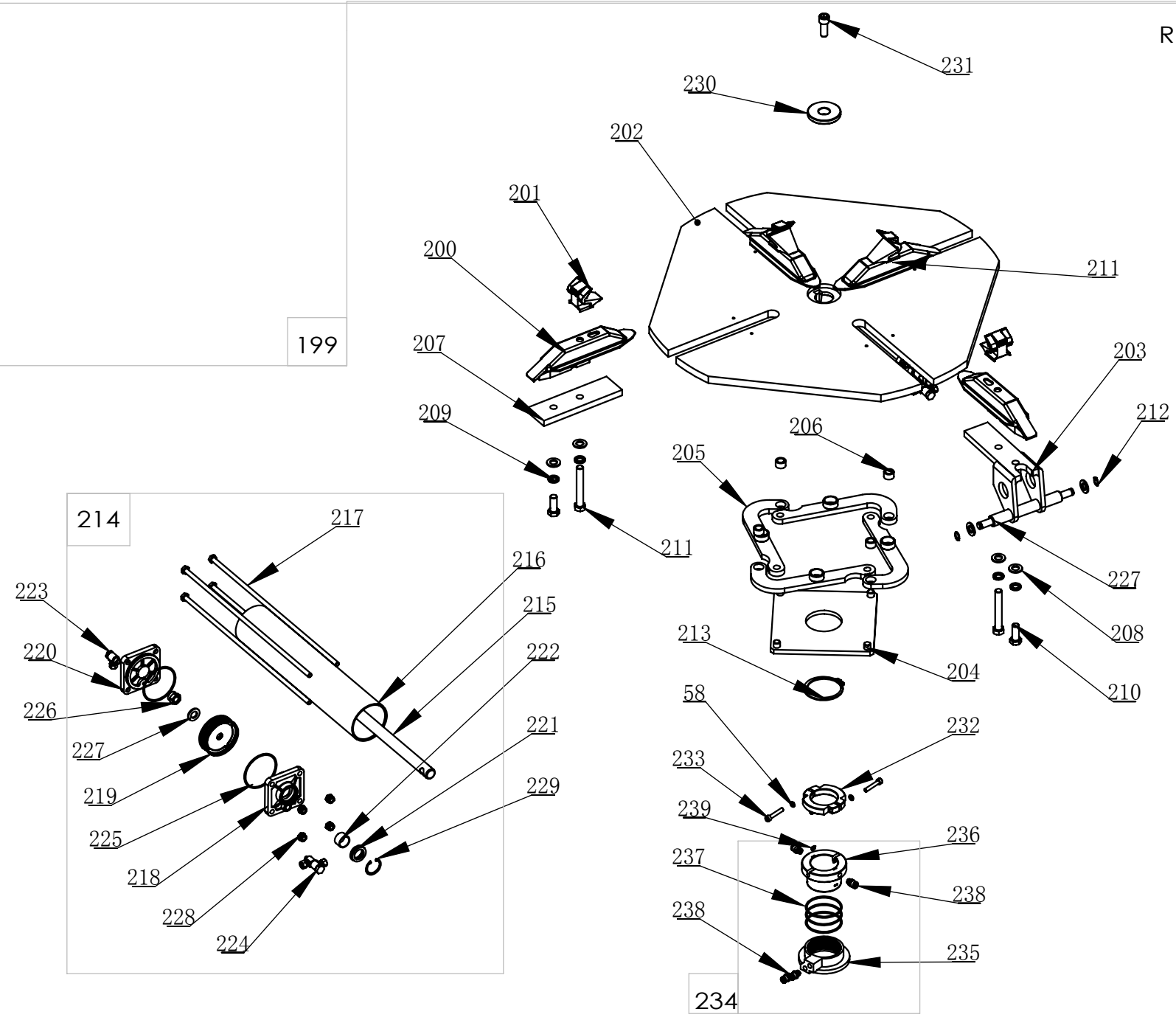
LC885

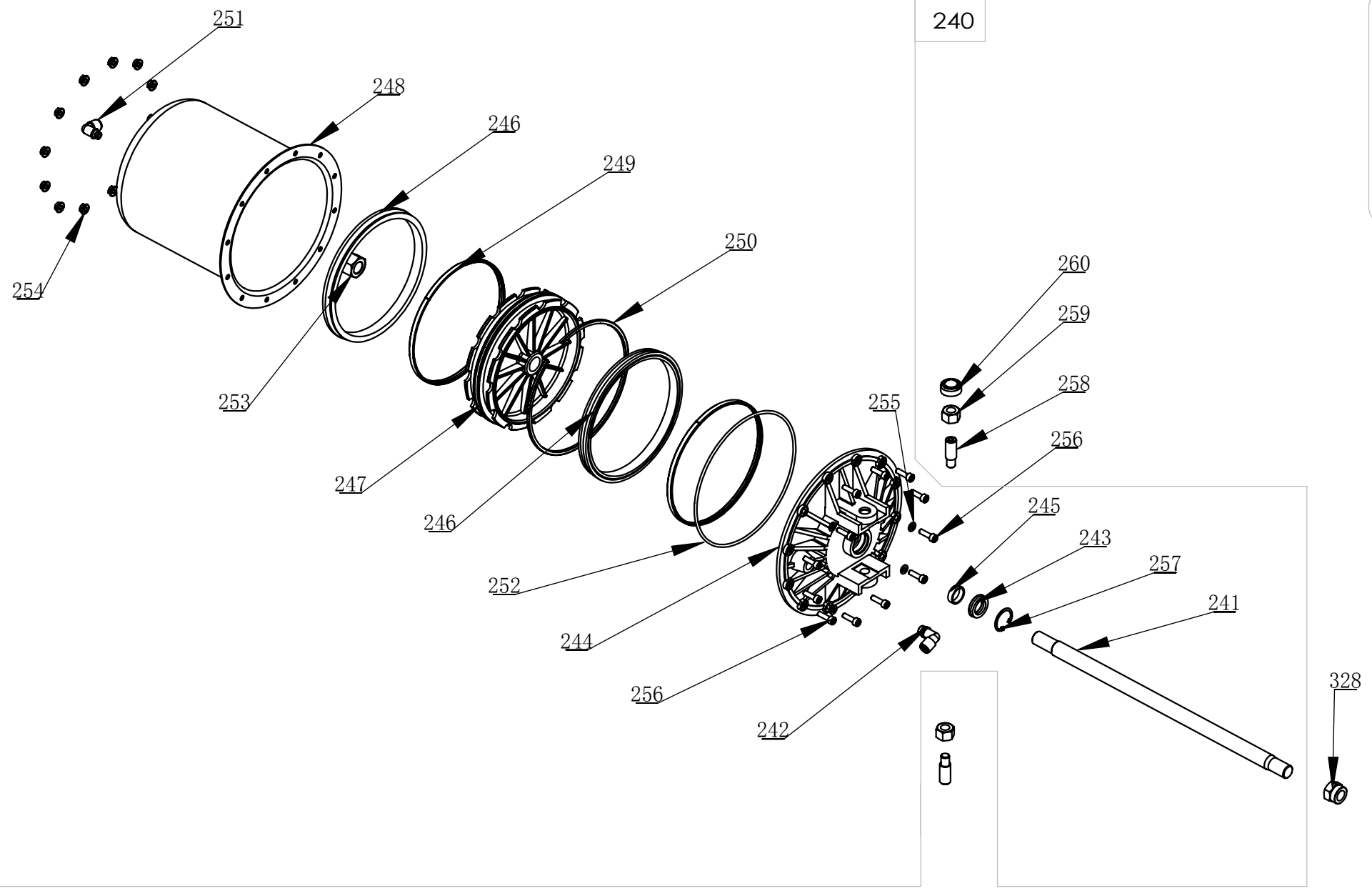


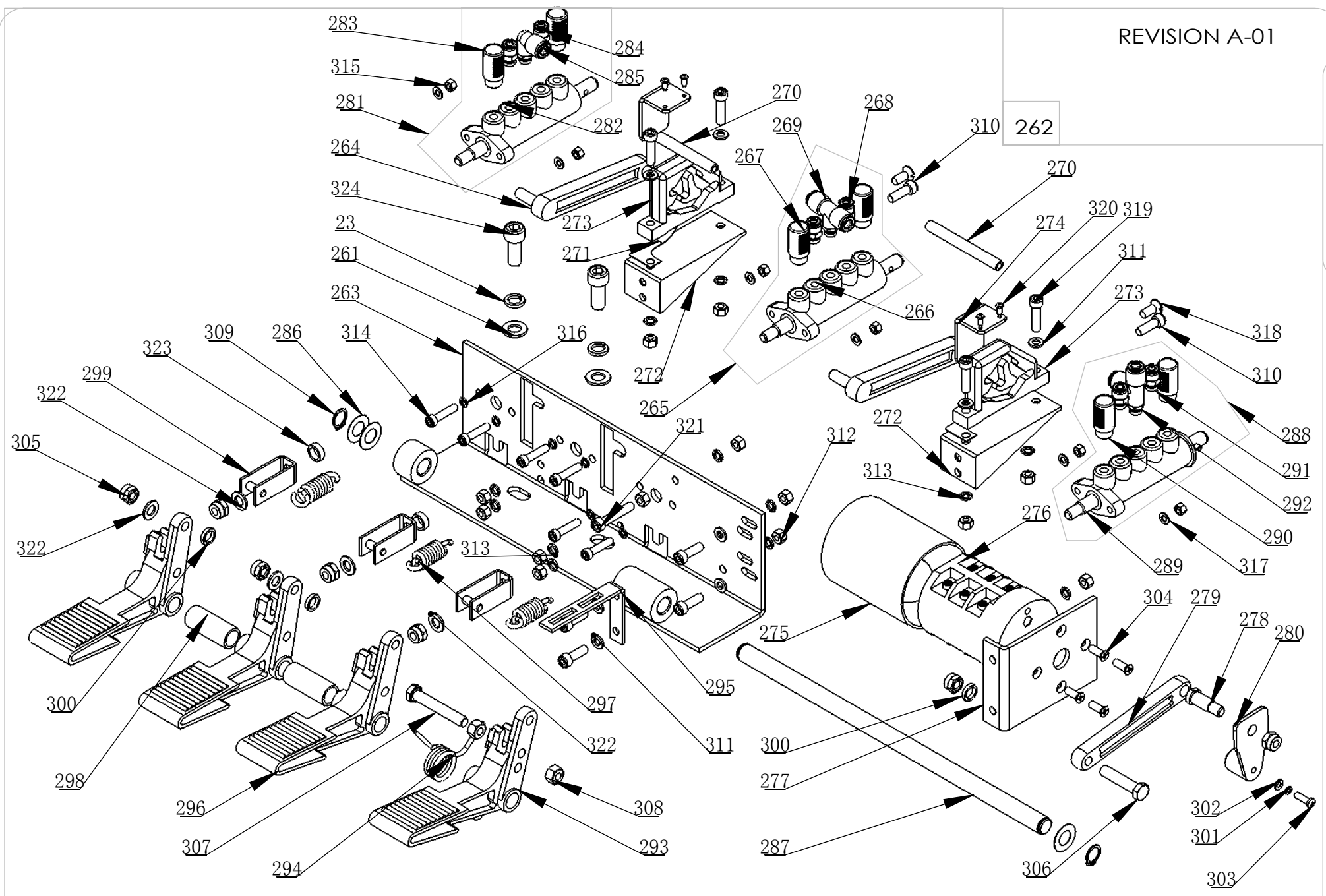




199







ITEM	PART No	DESCRIPTION.	QTY
1	6009204	BODY WELDING	1
2	6000538	PROTECTIVE COVER	1
3	6010006	PROTECTIVE ROD	1
4	6000537	SIDE PANEL	1
5	5009015	SCREW M6X16	13
6	5004093	RUBBER PAD PLATE	1
7	5004094	CROWBAR 20 "	1
8	5010088	SCREW M8X25	1
9	5010063	SCREW M8X20	3
10	5002060	NUT M8	3
11	5004046	WASHER 8	2
12	5509141	GREASE CONTAINER	1
13	5502045	RUBBER FOOT	4
14	5509113	POWER CABLE ASSEMBLY	1
15	5502049	CABLE CONNECTOR	1
16	5502046	STOP-UP	1
17	5009093	BOLT M5X12	1
18	5004100	CUSHION BUSHING	1
19	5002066	BOLT M16X25	2
20	5010041	BOLT M10X50	1
21	5004074	WASHER $\Phi 30 \times \Phi 10 \times 15$	2
22	5004005	WASHER 10	12
23	5010006	WASHER 10	2
24	5008112	NUT M10	2
25	5010045	WASHER 5	2
26	5509284	AIR REGULATOR ASSEMBLY	1
27	5004079	AIR SUPPLY CONNECTOR	1
28	5509149	ADJUSTING VALVE	1
29	5004086	WATER CUP	1
30	5004082	TEE R1/4	1
31	5004087	OIL CUP	1
32	5004083	INSERT ELBOW $\Phi 8$ , R1/4"	1
33	5004085	BRACKET	1
34	5004075	OPEN NUT	1
35	6000266	RING D13XD7X4	1
36	6000600	ROTATION SHAFT	1
37	6000599	WASHER	2
38	6000543	BOLT	2
39	5004044	BOLT M8X45	2
40	5004092	BRACKET	1
41	5008063	WASHER 6	15
42	5502033	STOP-UP	2
43	5509154	PLUG C	2
44	5509155	PLUG B	1
45	5509153	PLUG A	2
46	5004014	BOLT M16X100	1
47	5010026	WASHER 16	1

ITEM	PART No	DESCRIPTION.	QTY
48	5004042	NUT 16	1
49	6000309	BEAD BREAKER	1
50	6000357	BEAD BREAKER	1
51	6000344	SLIDE SPACER	1
52	6000308	BEAD BREAKER BLADE	1
53	6008091	RUBBER COVER	1
54	6008977	WASHER	1
55	5010091	WASHER 14	1
56	5010090	NUT M14	1
57	5004008	NUT M6	2
58	5010058	WASHER 6	9
59	6009205	HORIZONTAL ARM	1
60	6000583	HORIZONTAL ARM	1
61	6000588	PROTECTIVE COVER	1
62	6000589	HEXAGON SHAFT	1
63	6000570	VERTICAL COLUMN	1
64	6000590	HEXAGON LOCK PLATE	1
65	6000591	SPRING	2
66	6000595	SQUARE LOCK PLATE	1
67	6000598	PRESS SPRING	2
68	6000601	PULL-OUT SHAFT	1
69	6000604	VERTICAL SHAFT SPRING	1
70	6000605	PIPE GUIDER	1
71	6009050	SUPPORT SHAFT	1
72	6009049	ROTATING SPACER	1
73	5509163	POSITIONING BLOCK	1
74	5004115	SHOCK ABSORBER WASHER	1
75	5004201	PRESS WASHER	1
76	5004200	VERTICAL SHAFT COVER	1
77	5509169	LOCKING CYLINDER ASSY	1
78	6000594	LOCK CYLINDER BODY	1
79	6000593	LOCK CYLINDER COVER	1
80	5004114	Y-RING $\Phi 65 \times 8$	1
81	5004061	SCREW M6X30	2
82	5009086	O RING $\Phi 6 \times 2$	2
83	5010060	INSERT FITTING $\Phi 6$ , R1/8"	1
84	5509170	LOCKING CYLING ASSY	1
85	6000594	LOCK CYLINDER BODY	1
86	6000593	LOCK CYLINDER COVER	1
87	5004114	Y-RING $\Phi 65 \times 8$	1
88	5004069	TEE R1/8"-6	1
89	5004061	SCREW M6X30	2
90	5009086	O RING $\Phi 6 \times 2$	2
91	5509220	DEMOUNTING HEAD ASSEMBLY	1
92	5502123	DEMOUNTING HEAD	1
93	5004021	SCREW M12X12	2
94	5004023	SCREW M12X16	2







